



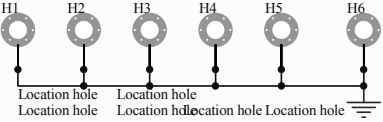
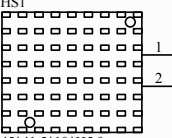

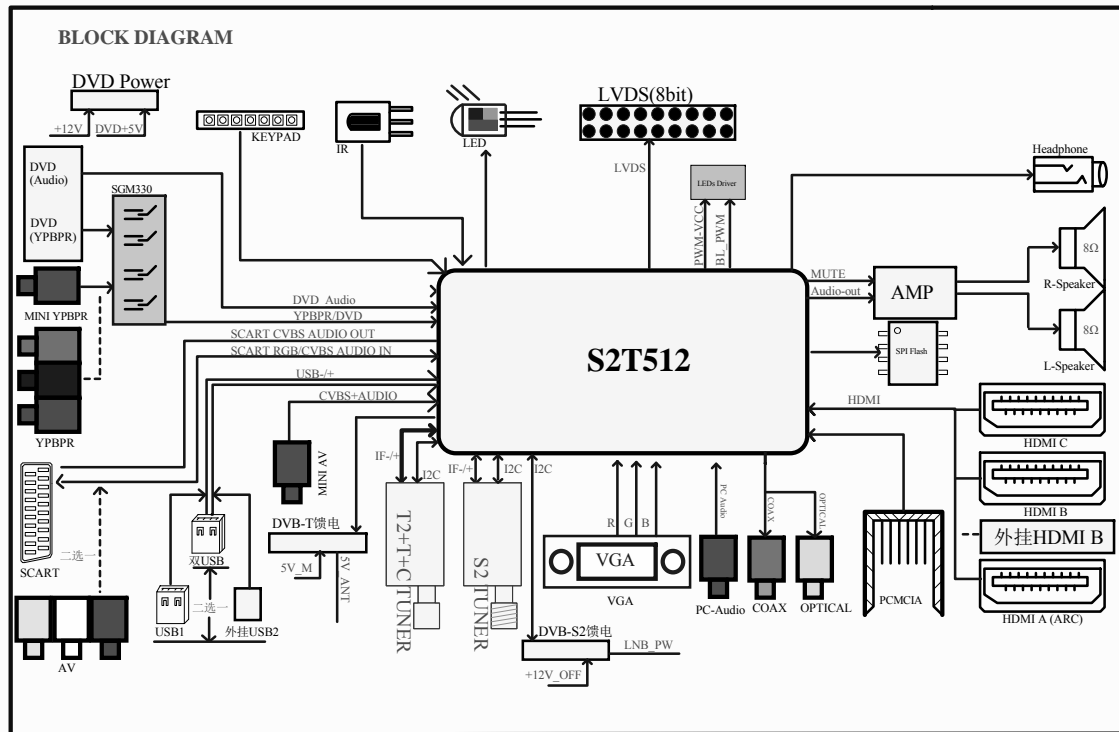
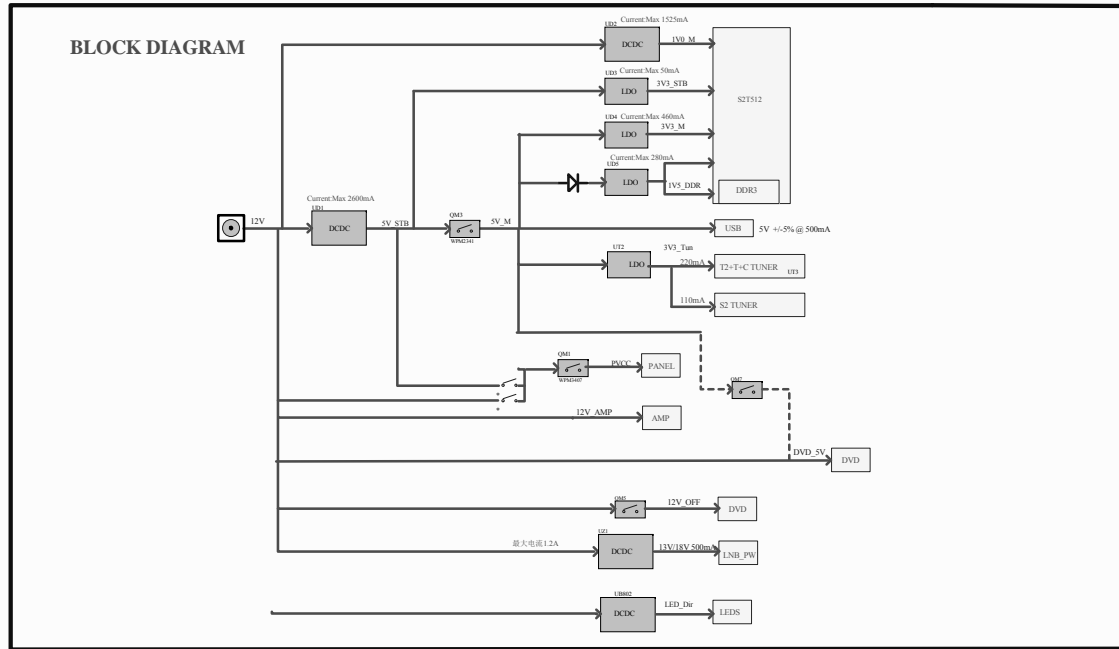
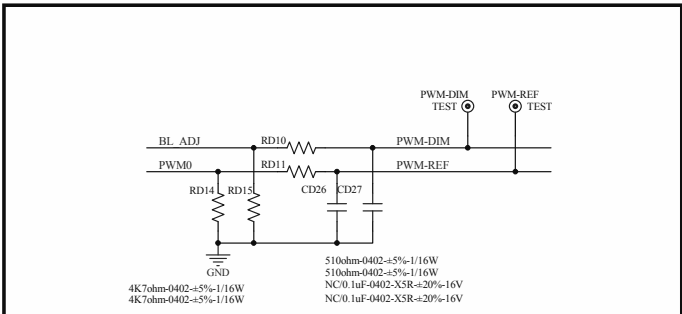
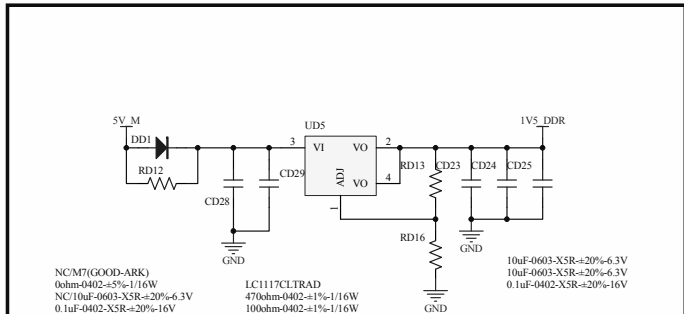
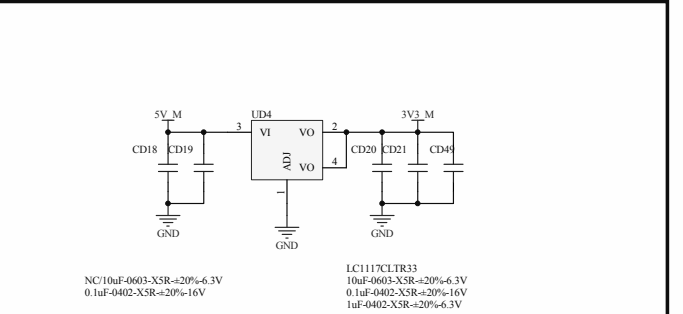
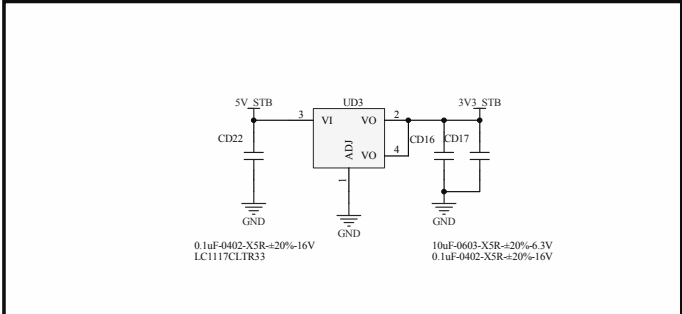
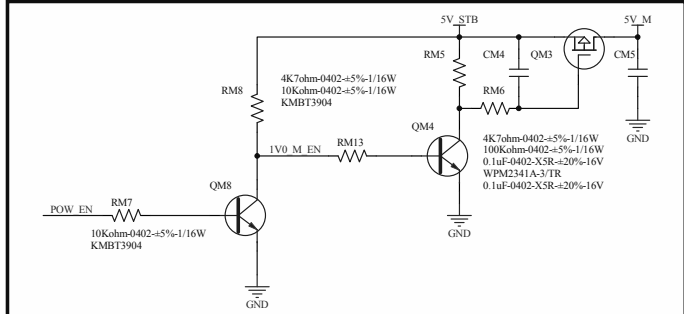
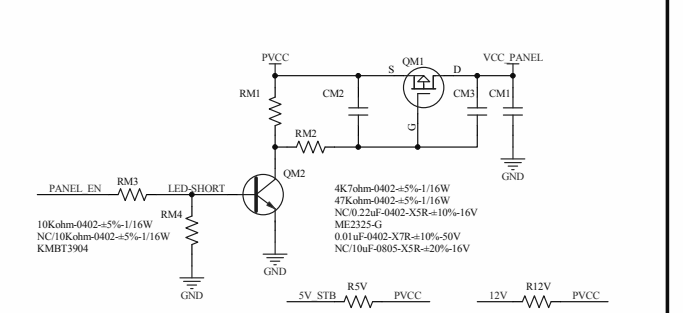
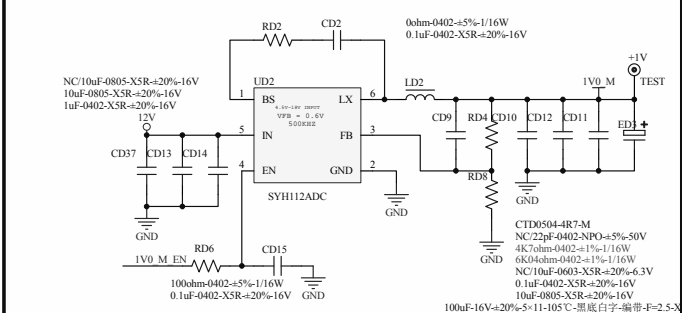
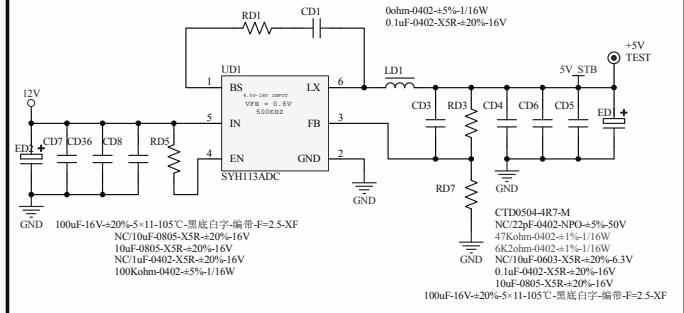


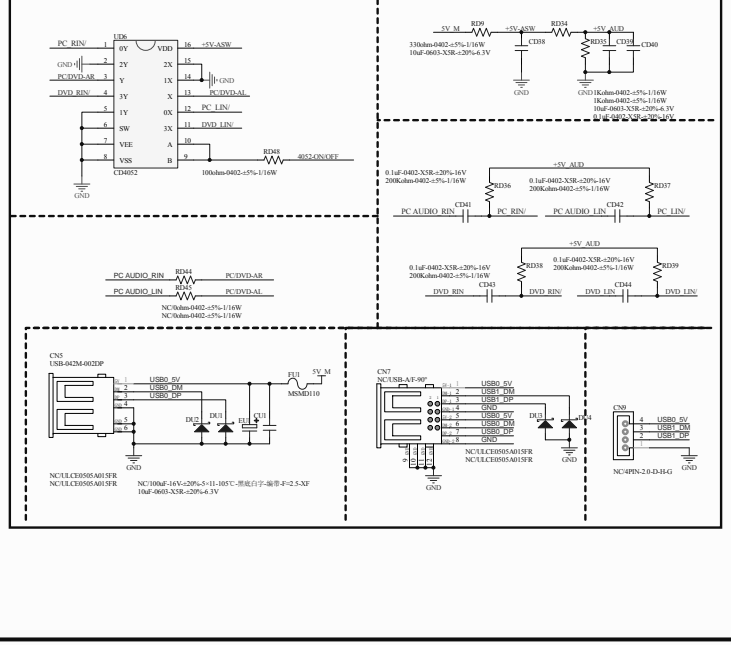
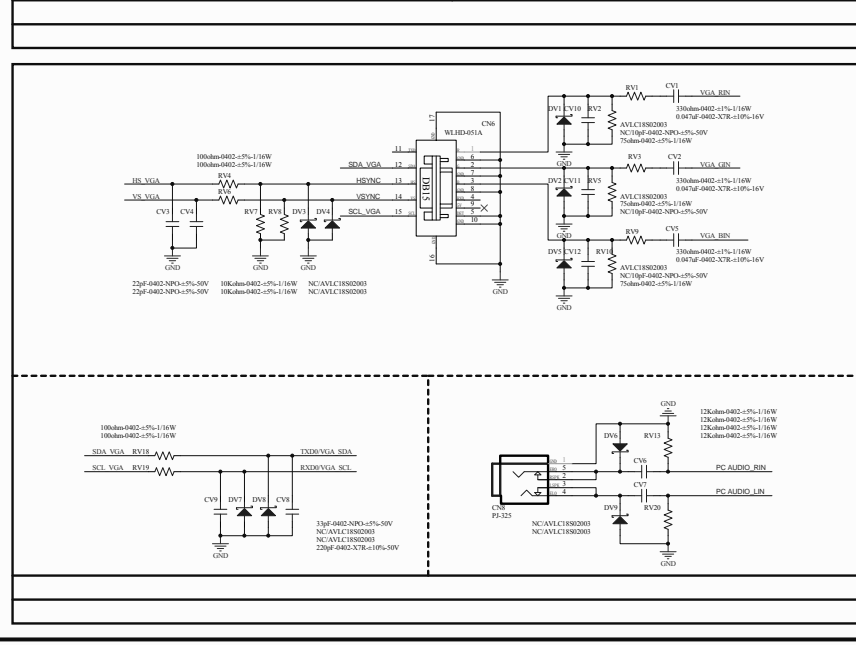
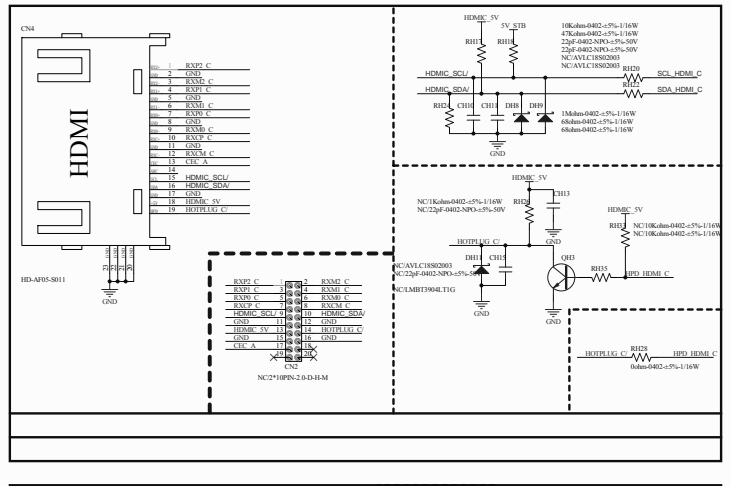
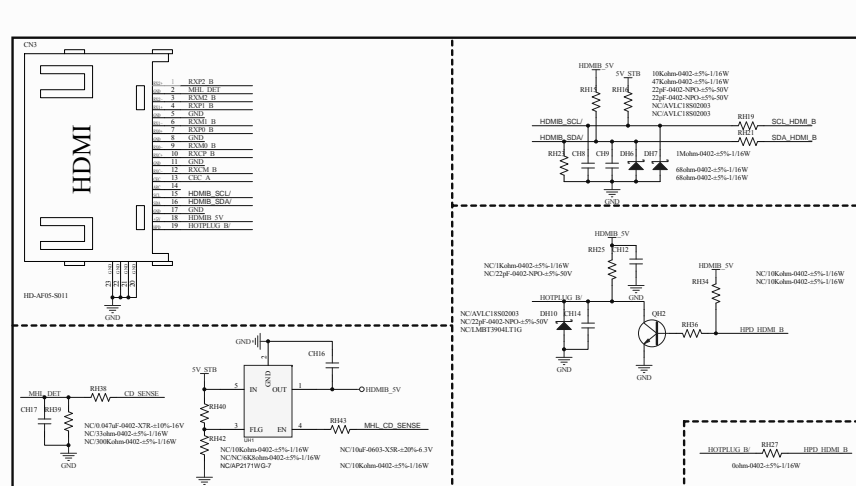
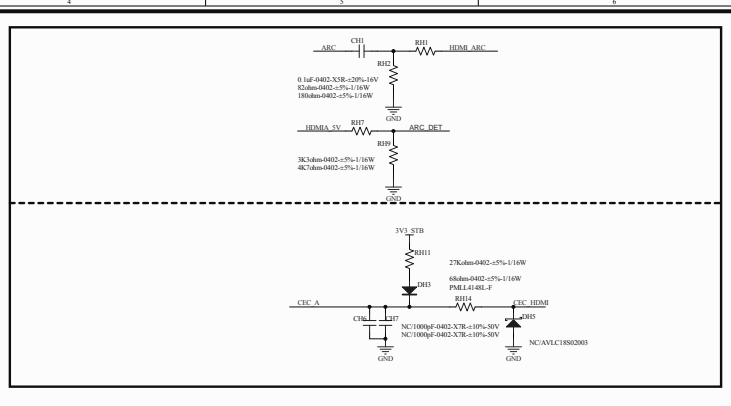
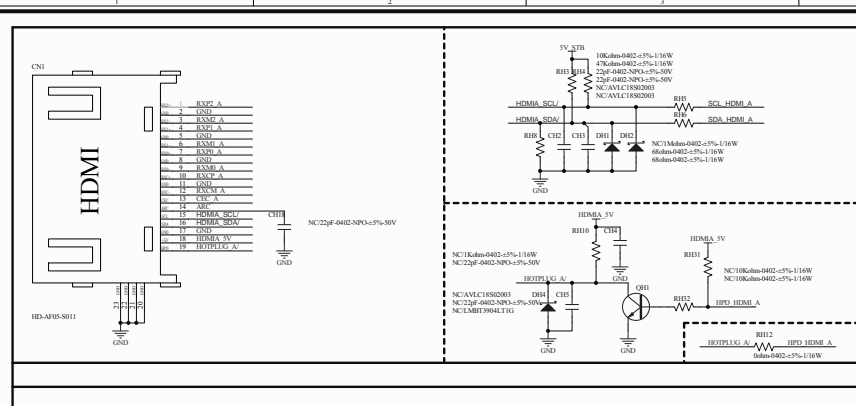
改板必查项目

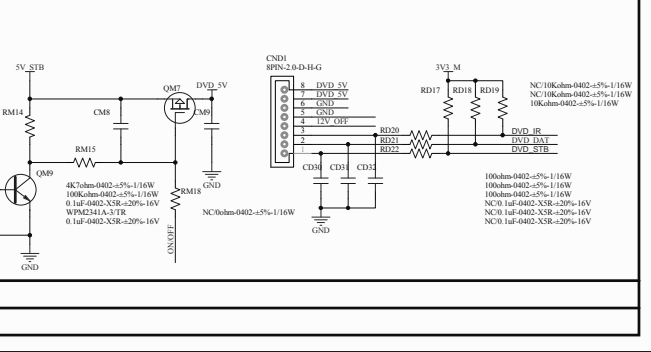
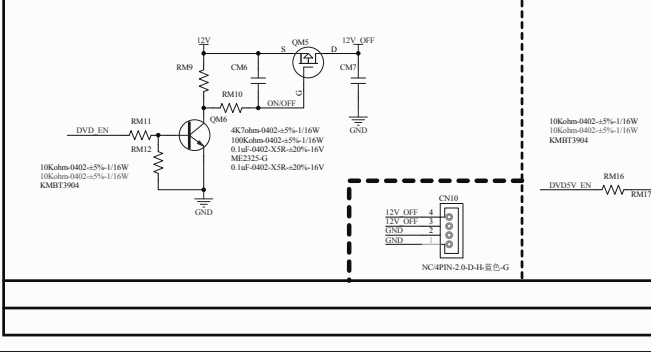
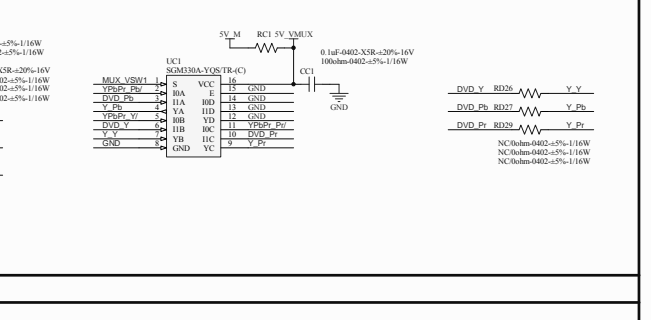
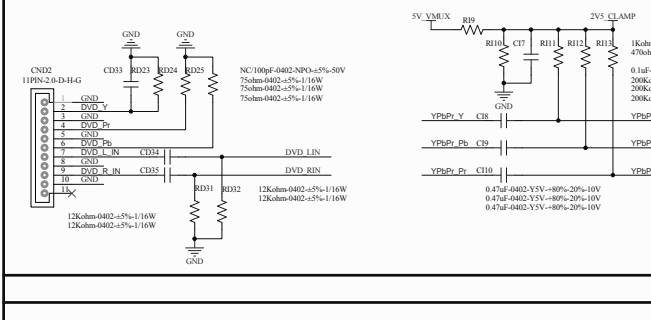
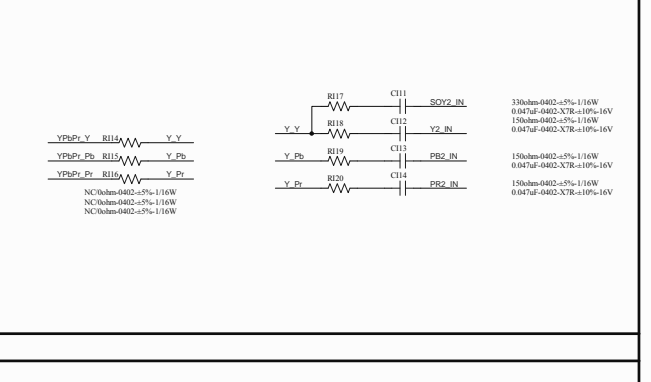
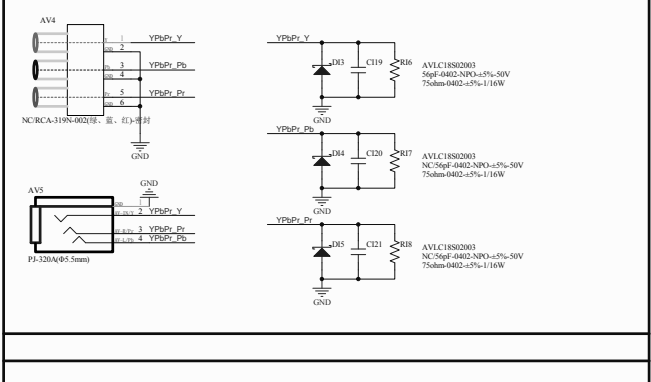
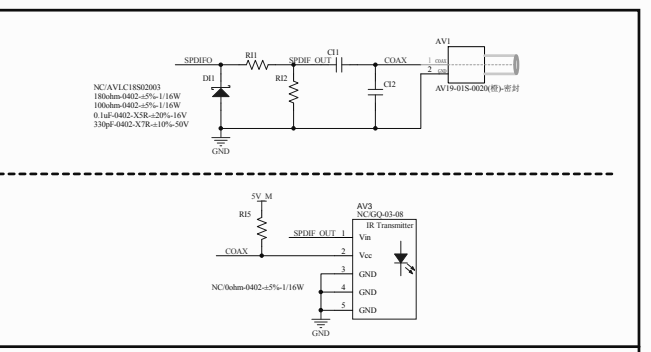
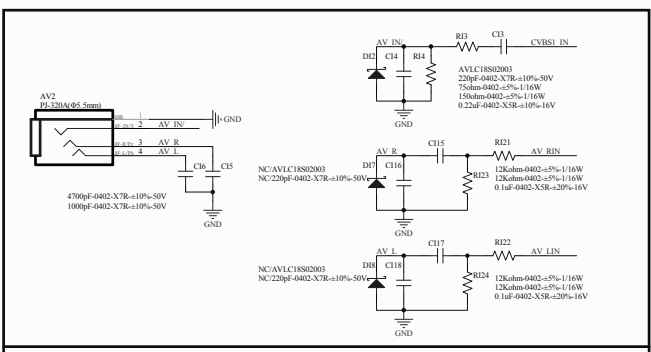
工程师	拟制		日期	
	审核			
类型描述	原理图封装			备注
板卡型号	TP.S512.PB83  PCB_NAME			
板卡周期号	C14251  PCB_TIME			
MARK点	M1 M2  MARK  MARK			
定位孔				
标识电阻	无			
散热片	HS1  45*41.5*10*HS.0			HS2  NC/27*27*0.8 黑色-THD

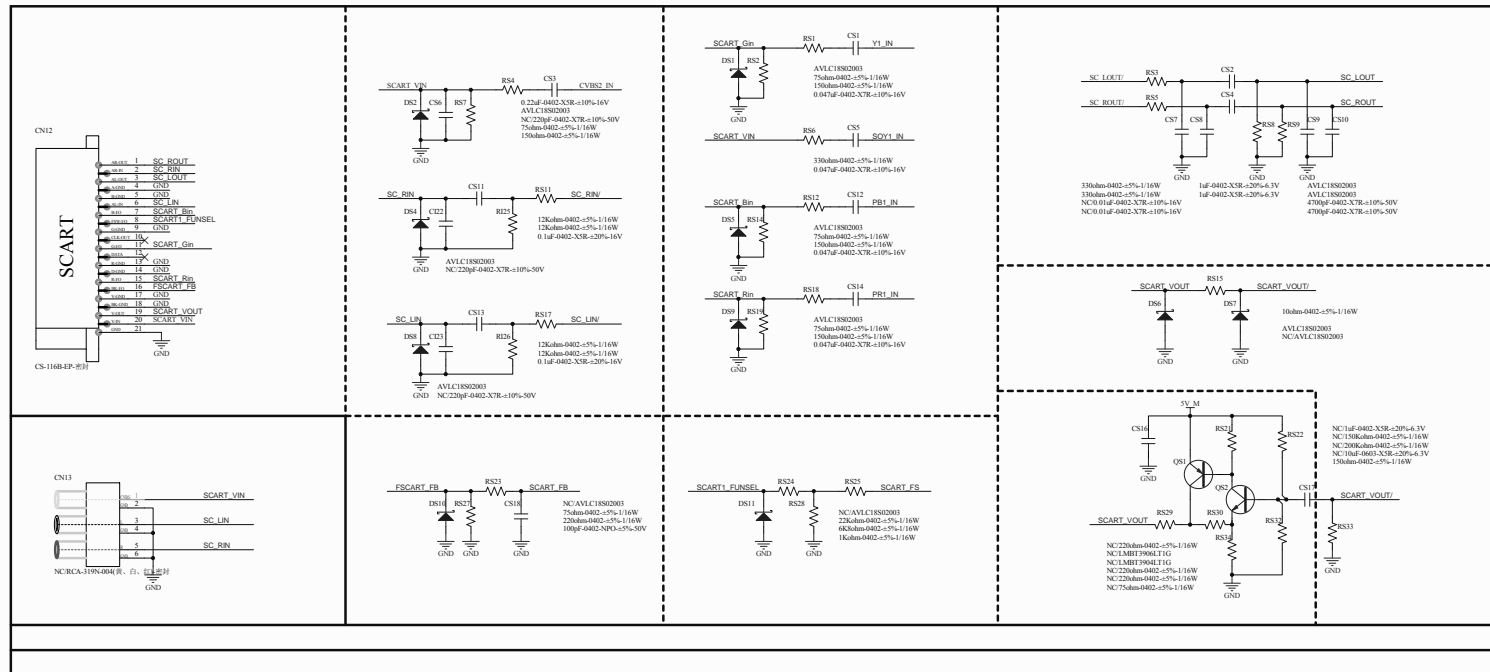
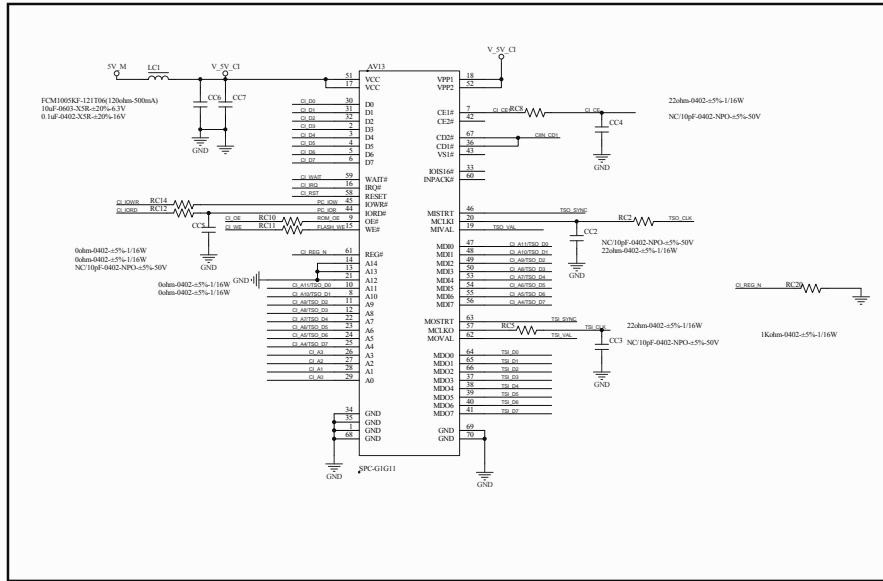


Title		
Size	Number	Revision
T: A4		
Date:	2014.8.4	Sheet of
File:	D:\WORK\01 SchDoc	Drawn By:

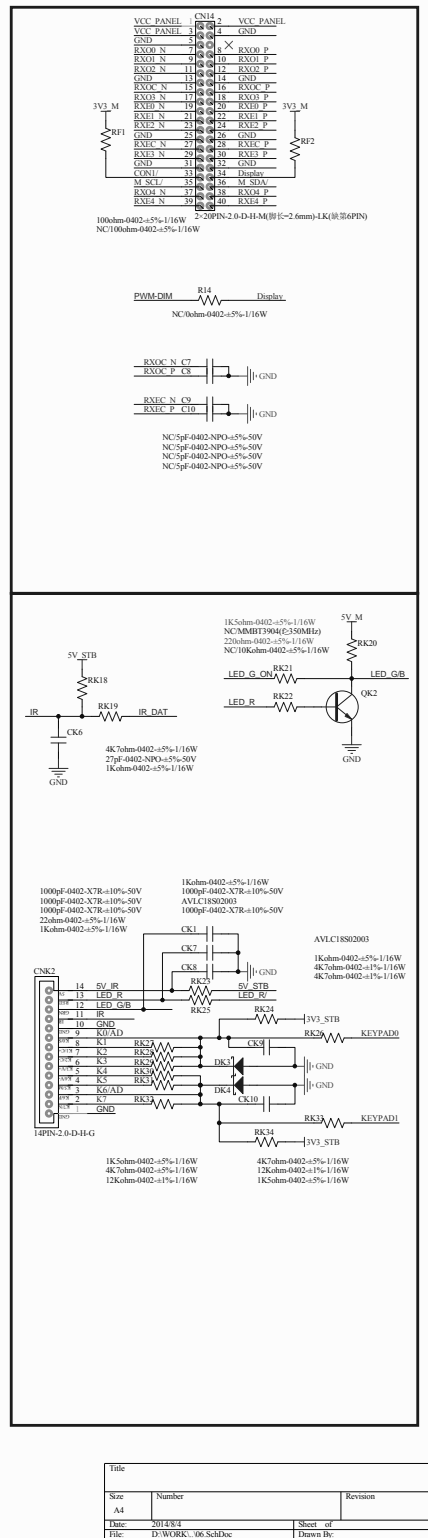
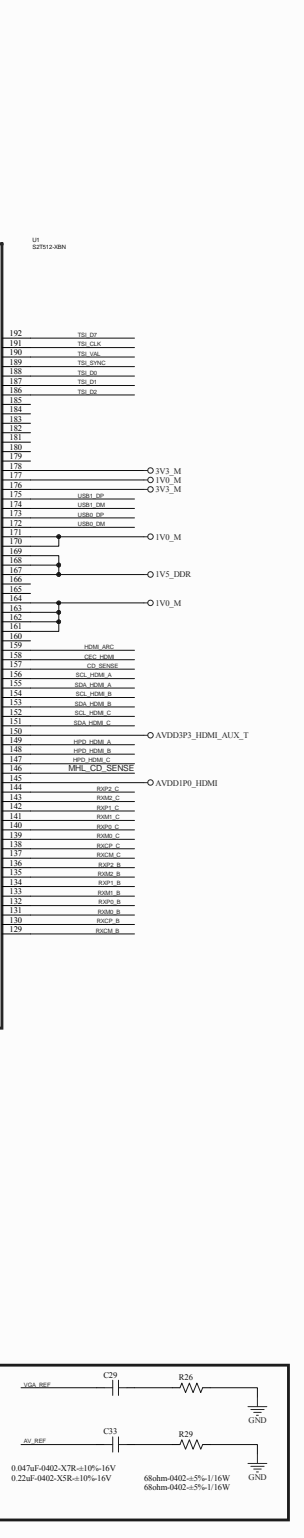
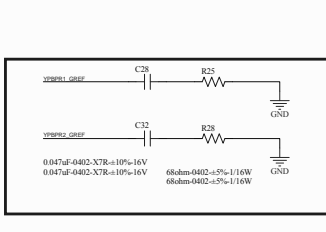
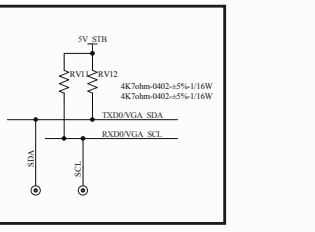
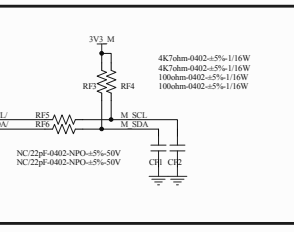
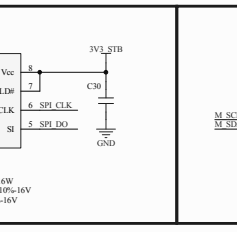
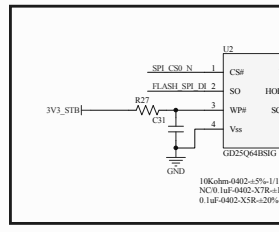
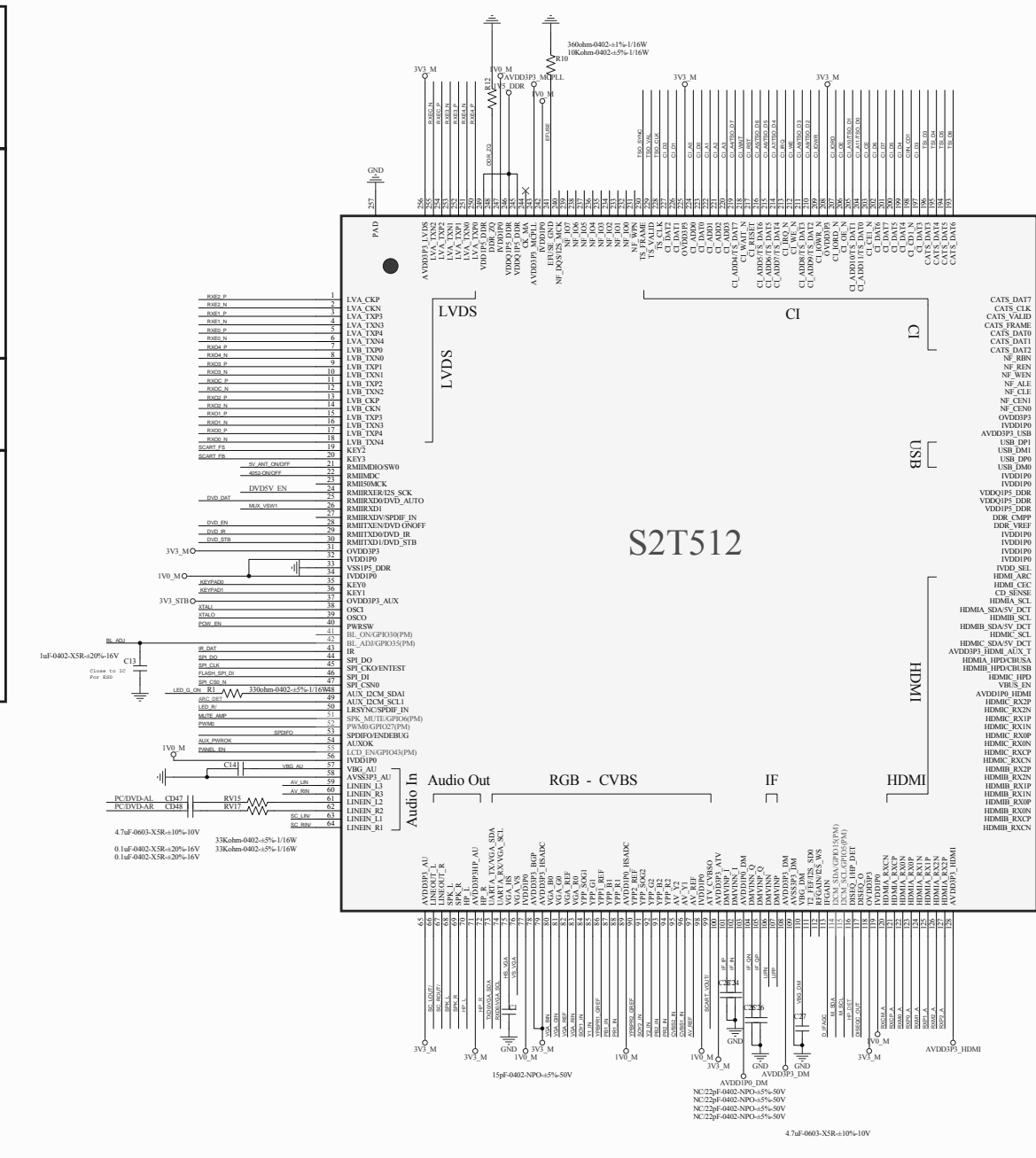
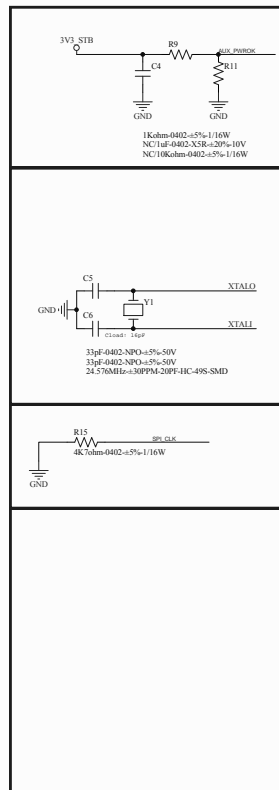


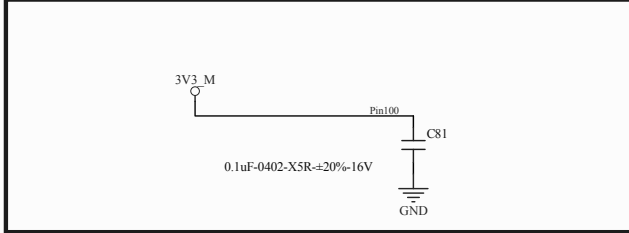
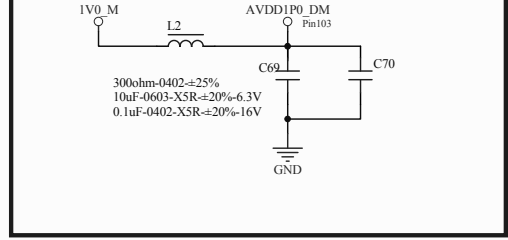
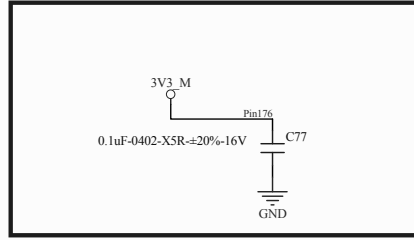
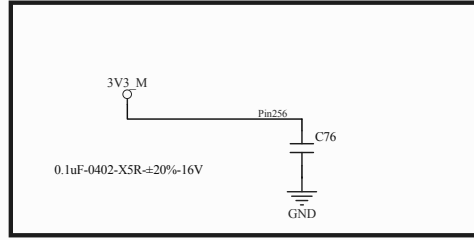
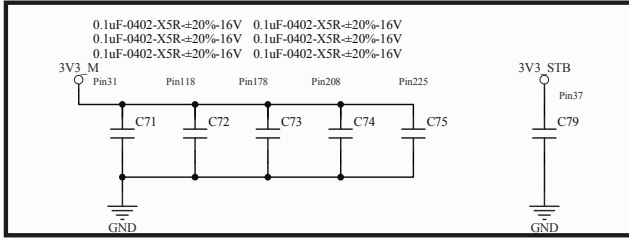
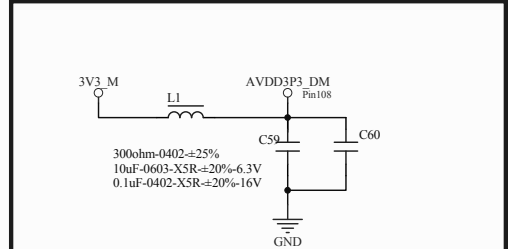
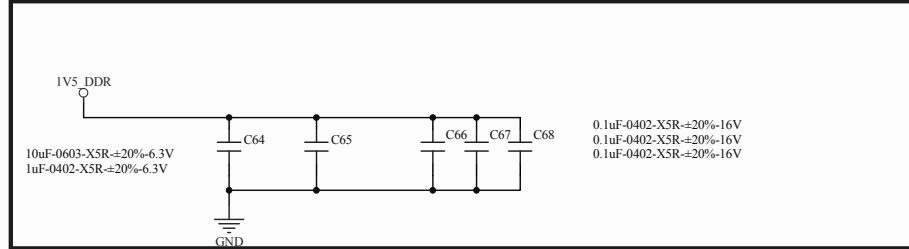
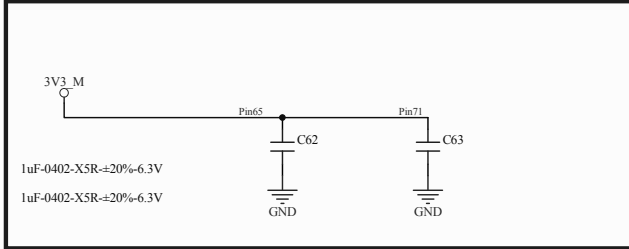
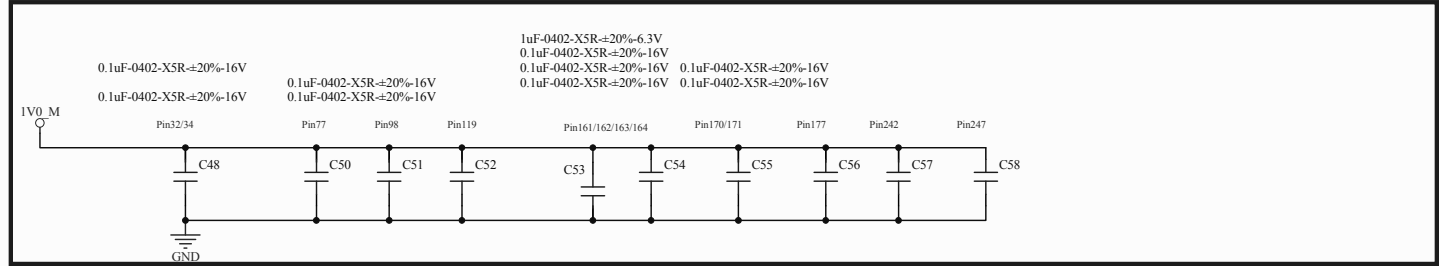
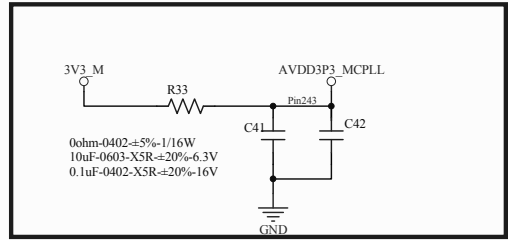
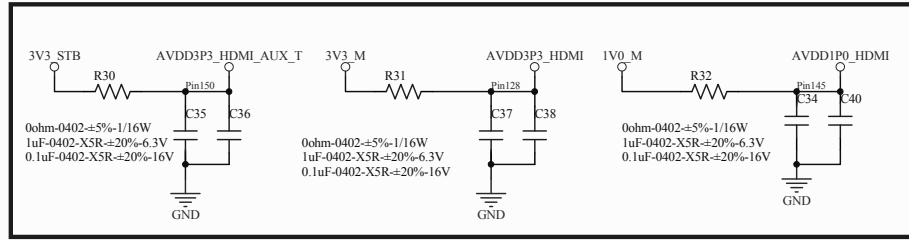
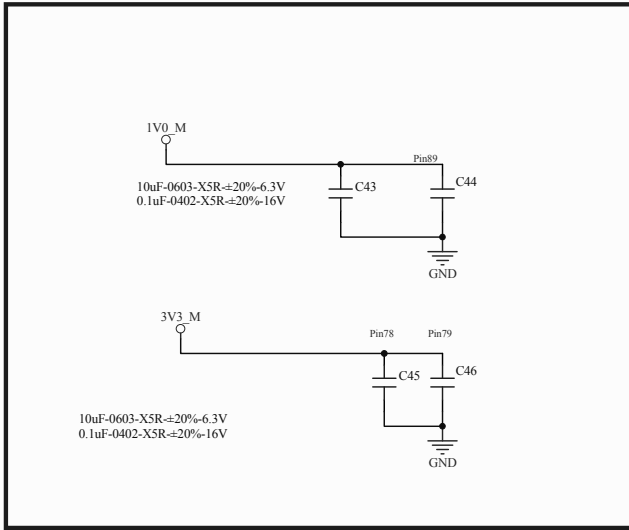




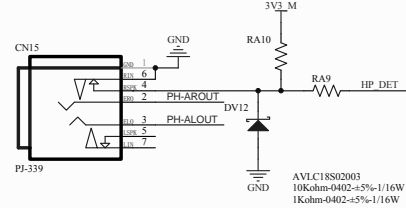
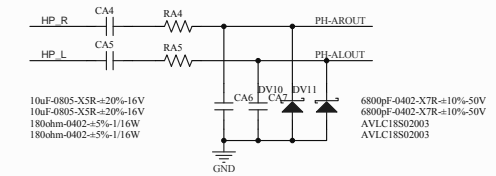
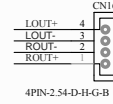
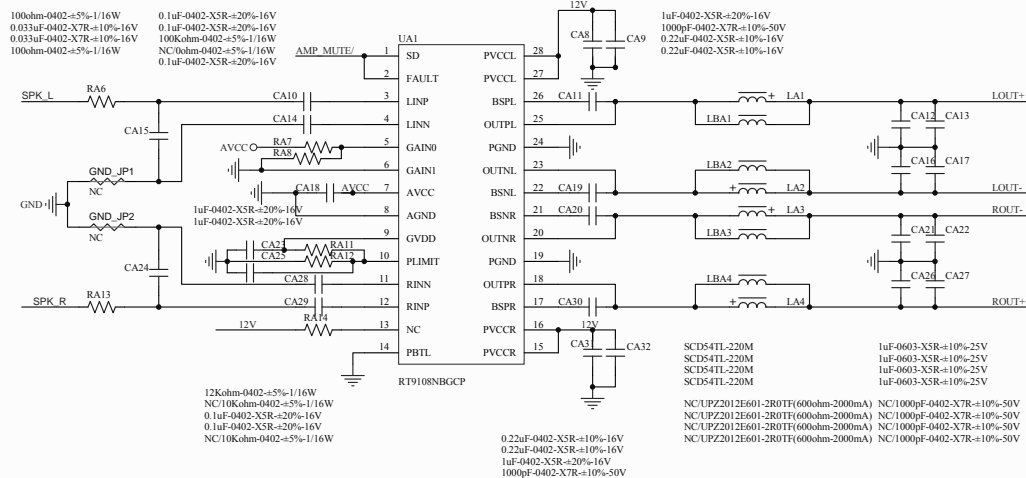
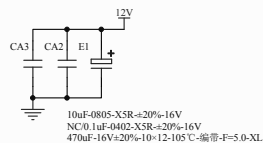
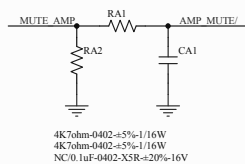


Title		
Size	Number	Revision
A4		
Date	2014.4	Sheet of
File	D:\WORK_05 SchDoc	Drawn By

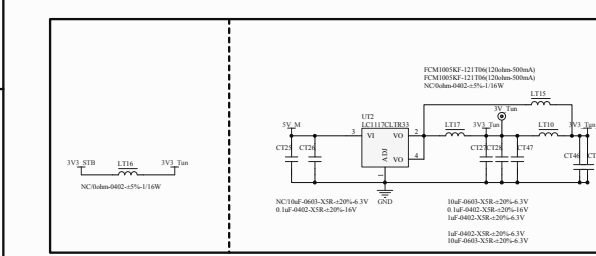
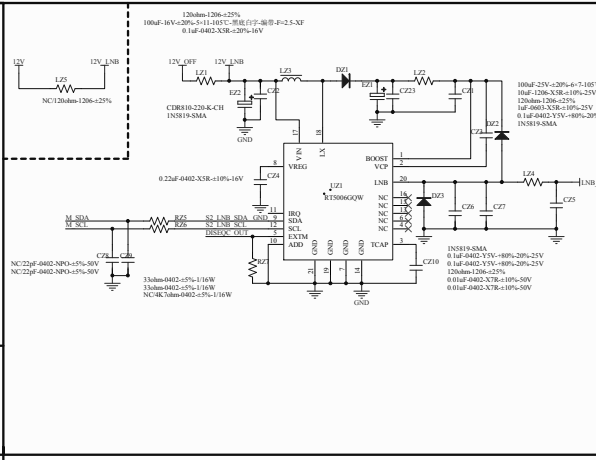
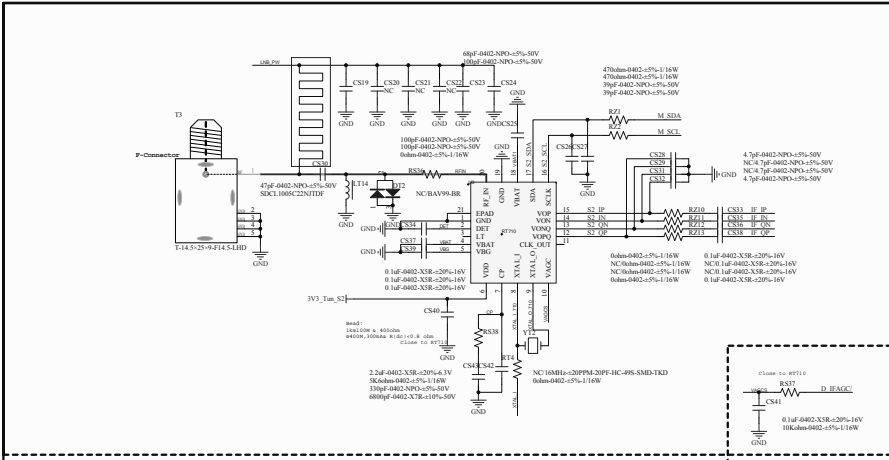
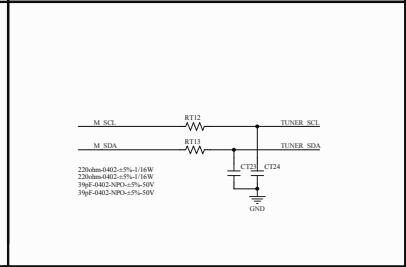
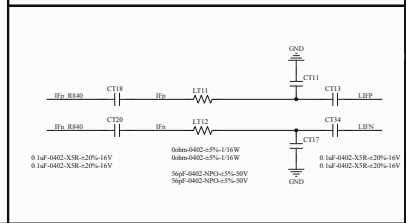
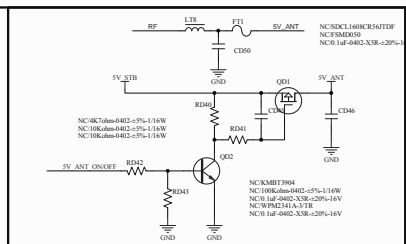
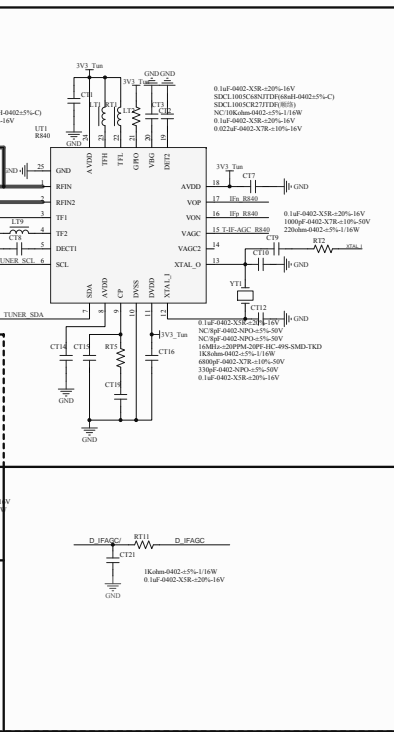
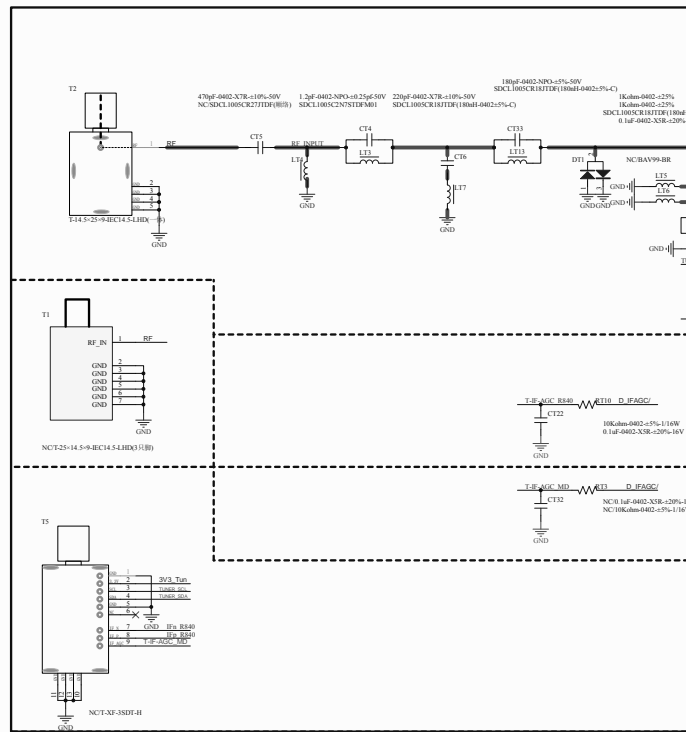




Title		
Size	Number	Revision
A4		
Date:	2014/8/4	Sheet of
File:	D:\WORK\...07.SchDoc	Drawn By:
		6

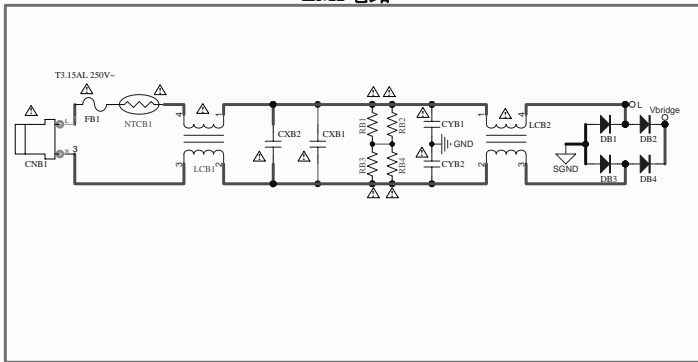


Title		
Size	Number	Revision
A4		
Date:	2014/8/4	Sheet of
File:	D:\WORK\08.SchDoc	Drawn By:

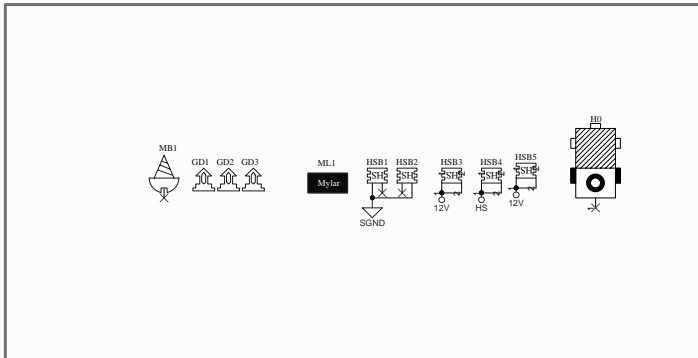


Tab	Number	Revision
Size	A4	
FILE	SW44	Sheet of
FILE	D:\WORK\19_S34.doc	Drawn By

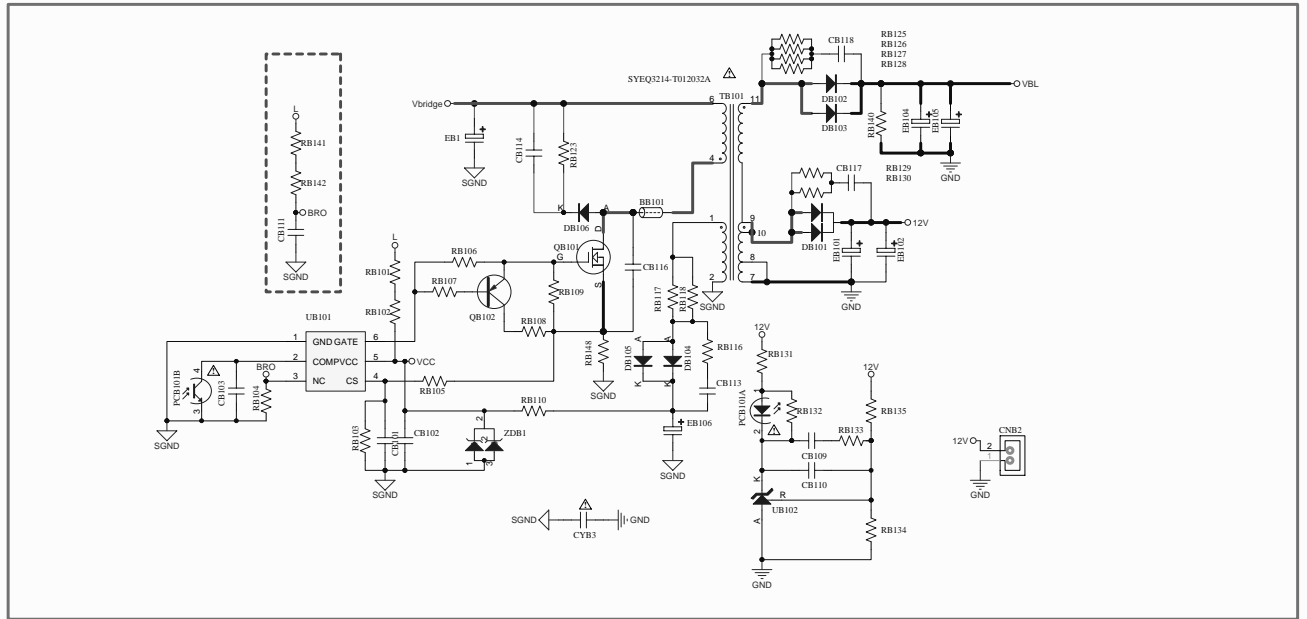
EMI电路



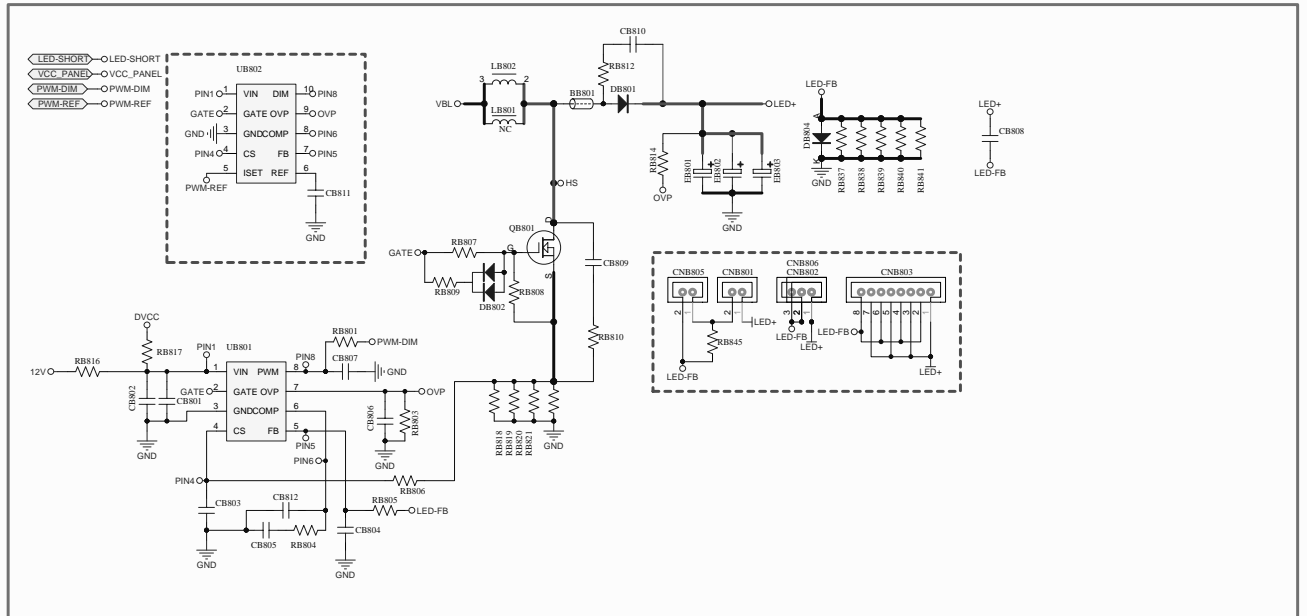
辅助材料



反激电路



恒流电路



Model Name:	TP-A2712-P83/C	VERSION:	V1.0
DRAWN:	Liao Wu	DATE:	2014-2-13
CHKD:		DATE:	

